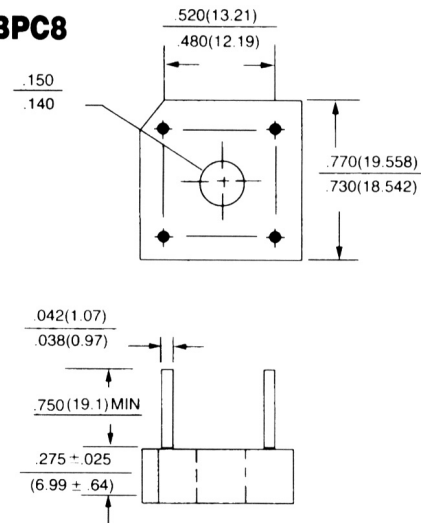


SILICON BRIDGE RECTIFIERS

VOLTAGE RANGE: 50 to 1000
VOLTS CURRENT: 10.0
AMPERES

FEATURES

- Rating to 1000V PRV
- Surge overload rating to 150 amperes peak
- Ideal for printed circuit board
- Reliable low cost construction utilizing molded plastic technique results in inexpensive product
- Lead solder able per MIL-STD-202 method 208
- Plastic material U/L flammability classification 90V-O
- Mounting: thru hole for #6 screw

KBPC8


Polarity shown on side of case;
Positive lead by beveled corner.

MAXIMUM RATINGS AND ELECTRICAL CHARACTERISTICS

Ratings at 25°C ambient temperature unless otherwise specified.

Single phase, half wave, 60Hz, resistive or inductive load. For capacitive load, derate current by 20%.

Parameters		BR 10005	BR 1001	BR 1002	BR 1004	BR 1006	BR 1008	BR 1010	UNITS
Maximum Recurrent Peak Reverse Voltage	V_{RRM}	50	100	200	400	600	800	1000	V
Maximum RMS Voltage	V_{RMS}	35	70	140	280	420	560	700	V
Maximum DC Blocking Voltage	V_{DC}	50	100	200	400	600	800	1000	V
Maximum Average Forward Rectified Current @ $T_A=50^\circ\text{C}$	$I_{(AV)}$	10.0							A
Peak Forward Surge Current 8.3ms Single half-sine-wave superimposed on rated load	I_{FSM}	150							A
Maximum DC Forward Voltage drop per element at 5.0A DC	V_F	1.1							V
Maximum Reverse Current at Rated @ $T_A=25^\circ\text{C}$ DC Blocking Voltage per element @ $T_A=100^\circ\text{C}$	I_R	10 1.0							μA mA
Operating Junction Temperature Range	T_j	-55---+125							$^\circ\text{C}$
Storage Temperature Range	T_{STG}	-55---+150							$^\circ\text{C}$